

| | |
|--------------------------|----------|
| Price List Dates: | |
| Pricing | 10.02.23 |
| Revisions | 08.28.23 |



▶ See page

| | |
|--------------------------|------|
| Statement of Line | PO.2 |
| Planning | PO.3 |
| Overview | PO.3 |
| Pricing | PO.4 |
| Chairs | PO.4 |
| Stools | PO.5 |

POLY™ STACKABLE SEATING

Statement of Line

| | |
|-------------------|-----------------|
| Statement of Line | ➤ See page PO.2 |
| Planning | PO.3 |
| Pricing | PO.4 |



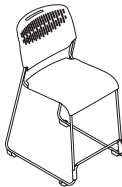
Plastic Sled-Base Side Chair
Stacking
➤ See page PO.4 to specify.



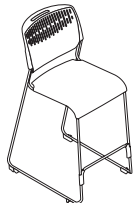
Plastic Sled-Base Side Chair with Arms
Stacking
➤ See page PO.4 to specify.



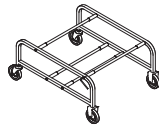
Mesh Sled-Base Side Chair
Stacking
➤ See page PO.4 to specify.



Plastic Sled-Base Counter-Height Stool
Stacking
➤ See page PO.5 to specify.



Plastic Sled-Base Bar-Height Stool
Stacking
➤ See page PO.5 to specify.



Transport Dolly
Accommodates a stack of 35 chairs.
➤ See page PO.4 to specify.

➤ See individual pricing pages for dimensions.

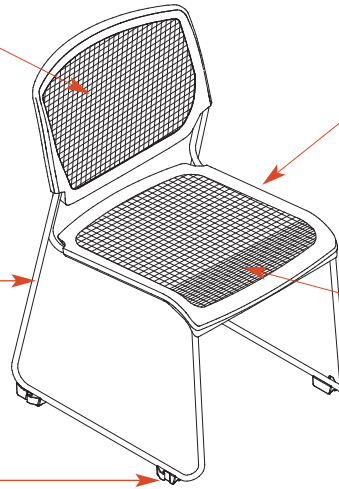
POLY™ STACKABLE SEATING

Planning

| | |
|-------------------|-----------------|
| Statement of Line | ➤ See page PO.2 |
| Planning | PO.3 |
| Pricing | PO.4 |

100% polyester mesh back and seat is available in five colors on chairs:

- Big Sky
- Black Tie
- Crimson
- Tangerine
- Kiwi



Back and seat frame is black plastic.

Legs have a chrome finish.

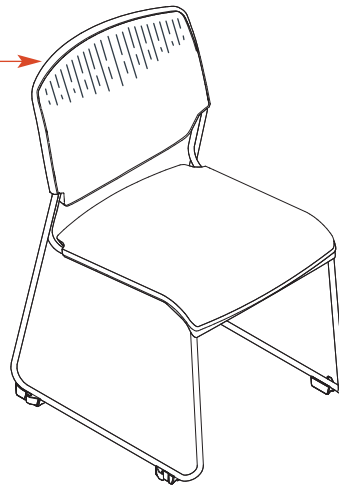
Mesh on the front of the seat features a tighter weave for additional support.

Black plastic glides are standard and can be used to gang adjacent chairs.

Polyurethane plastic back and seat is available in ten colors on stools and chairs:

- Black Tie (Black 3 C)
- Charcoal (Cool Gray 10 C)
- Navy (7463 C)
- White
- Fawn (Warm Gray 5 C)
- Cobalt (2132 C)
- Scarlet (186 C)
- Parrot (2276 C)
- Tangerine (164 C)
- Turquoise (2200 C)

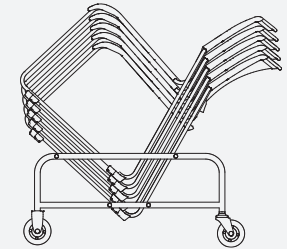
Note: Pantone® PMS color numbers are provided above for reference. Slight variations within commercial tolerance may occur in color and texture between the PMS colors and the finished product.



Compact stacking sled-base design enables chairs to be stacked up to 35 high on a dolly or up to 14 high on the floor. Stools can be stacked up to 20 high on a dolly or up to 10 high on the floor.

TB133 approved as standard. There are no separate models or pricing.

Chairs and stools are cartoned and shipped to maximize cube space and minimize cardboard usage.



Transport dolly is available to move up to 35 chairs or 20 stools. Dolly has a tubular steel frame, gray powdercoat finish, and four 8" semi-pneumatic ball-bearing wheels. Poly chairs stacked 35 high on the dolly will have an overall height of 75" and overall width of 37".

Ganging devices are not required. The black plastic glides that are standard also serve as a ganging bracket.

POLY™ STACKABLE SEATING

Side Chairs

Pricing

| | |
|-------------------|-----------------|
| Statement of Line | ▶ See page PO.2 |
| Planning | PO.3 |
| Pricing | PO.4 |



Plastic Chair



Plastic Chair with Arms



Mesh Chair

| Model | Description | Price Each | | | | Shipping Each | | GSA SIN |
|--------------|----------------------------------|------------|-----------|------------|-----------|---------------|------------|------------|
| | | Qty. 1-3 | Qty. 4-24 | Qty. 25-99 | Qty. 100+ | Lbs. | Cubic Feet | |
| K95P | Plastic stacking chair | \$518 | 351 | 333 | 307 | 8.50 | 11.85 | 33721 |
| K95PA | Plastic stacking chair with arms | \$629 | 462 | 444 | 418 | 9.50 | 11.85 | 33721 |
| K95M | Mesh stacking chair | \$659 | 494 | 424 | 406 | 8.50 | 11.85 | 33721 |

| Description | Dimensions (Inches) | | | | | | | | |
|-------------------------|---------------------|----|--------|------|--------|--------|-------|--------------|-------------|
| | Overall | | | Seat | | | Arm | | |
| | H | W | D | H | W | D | Angle | H from floor | H from seat |
| Plastic stacking chair | 32 | 20 | 24 1/8 | 18 | 17 1/4 | 16 3/4 | 7° | — | — |
| Plastic chair with arms | 32 | 20 | 24 1/8 | 18 | 17 1/4 | 16 3/4 | 7° | 26 | 8 1/2 |
| Mesh stacking chair | 32 | 20 | 24 1/8 | 18 | 17 1/4 | 16 3/4 | 7° | — | — |

Tips

Poly side chairs are TB133 approved as standard.

Quantity price breaks are applicable for chairs of the same color, model number, and line.

How to Specify

Plastic Chairs

- ① Model
- ② Plastic color designator:
 - BK** = Black Tie
 - CT** = Cobalt
 - CH** = Charcoal
 - FW** = Fawn
 - NV** = Navy
 - PT** = Parrot
 - SC** = Scarlet
 - TG** = Tangerine
 - TQ** = Turquoise
 - WH** = White
- ③ Quantity range designator:
 - PQ1-3** = 1-3 chairs
 - PQ4-24** = 4-24 chairs
 - PQ25-99** = 25-99 chairs
 - PQ100** = 100+ chairs

Mesh Chairs

- ① Model
- ② Mesh color designator:
 - BS** = Big Sky
 - BK** = Black Tie
 - CR** = Crimson
 - KW** = Kiwi
 - TG** = Tangerine
- ③ Quantity range designator:
 - PQ1-3** = 1-3 chairs
 - PQ4-24** = 4-24 chairs
 - PQ25-99** = 25-99 chairs
 - PQ100** = 100+ chairs

POLY™ STACKABLE SEATING

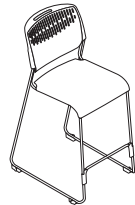
Stools

Pricing

| | |
|-------------------|-----------------|
| Statement of Line | ▶ See page PO.2 |
| Planning | PO.3 |
| Pricing | PO.4 |



Plastic Counter-Height Stool



Plastic Bar-Height Stool

| Model | Description | Price Each | | | Shipping | | GSA |
|----------------|---------------------------------------|-------------------|------------------|-----------------|-----------------|-------------------|------------|
| | | <i>Qty. 1-3</i> | <i>Qty. 4-24</i> | <i>Qty. 25+</i> | <i>Lbs.</i> | <i>Cubic Feet</i> | <i>SIN</i> |
| K95PCHS | Plastic stacking counter-height stool | \$851 | 688 | 602 | 13.50 | 15.99 | 33721 |
| K95PS | Plastic stacking bar-height stool | \$873 | 710 | 624 | 13.00 | 15.99 | 33721 |

| Description | Dimensions (Inches) | | | | | | |
|----------------------|----------------------------|----------|----------|-------------|----------|----------|--------------|
| | <i>Overall</i> | | | <i>Seat</i> | | | |
| | <i>H</i> | <i>W</i> | <i>D</i> | <i>H</i> | <i>W</i> | <i>D</i> | <i>Angle</i> |
| Counter-height stool | 38½ | 20½ | 24½ | 24½ | 17½ | 16½ | 7° |
| Bar-height stool | 42½ | 20½ | 25½ | 29 | 17½ | 16¾ | 7° |

Tips

Poly stools are TB133 approved as standard.

Quantity price breaks are applicable for chairs of the same color, model number, and line.

How to Specify

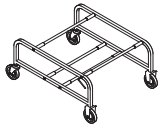
- ① Model
- ② Plastic color designator:
 - BK** = Black Tie
 - CT** = Cobalt
 - CH** = Charcoal
 - FW** = Fawn
 - NV** = Navy
 - PT** = Parrot
 - SC** = Scarlet
 - TG** = Tangerine
 - TQ** = Turquoise
 - WH** = White
- ③ Quantity range designator:
 - PQ1-3** = 1-3 chairs
 - PQ4-24** = 4-24 chairs
 - PQ25-99** = 25-99 chairs

POLY™ STACKABLE SEATING

Transport Dolly

Pricing

| | |
|-------------------|-----------------|
| Statement of Line | ▶ See page PO.2 |
| Planning | PO.3 |
| Pricing | PO.4 |



Transport Dolly

How to Specify

- 1 Model

| Model | Description | Price | Shipping | | GSA |
|--------------|--------------------|--------------|-----------------|-------------------|------------|
| | | | <i>lbs.</i> | <i>Cubic Feet</i> | <i>SIN</i> |
| K95TD | Transport dolly | \$842 | 16.50 | 1.20 | 33721 |

| Description | Dimensions (Inches) | | |
|--------------------|--------------------------------|--------------------------------|----------|
| | <i>Overall</i> | | |
| | <i>H</i> | <i>W</i> | <i>D</i> |
| Transport dolly | 13 ³ / ₈ | 22 ⁵ / ₈ | 32 |